

# JF-XVI-EDB2322-IR8-VF

2MP Low Illumination Bullet XPOE Camera



## Features

- ◆ 1/2.7"1080P CMOS
- ◆ HD lens: 2.8mm-12mm
- ◆ Support coaxial control
- ◆ Support coaxial upgrade
- ◆ Low Illumination
- ◆ Support XVI
- ◆ XPOE Power Supply

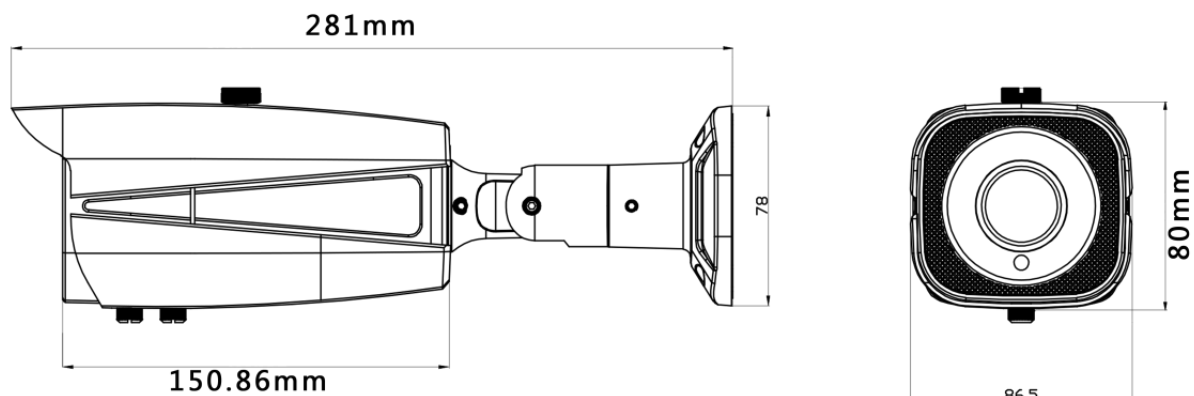
## Specification

XPOE Camera	
Model	JF-XVI-EDB2322-IR8-VF
Image Sensor	1/2.7" 1080P CMOS
Min.Illumination	0.01Lux @F1.2 (Color)
	0.001 Lux @ F1.2 (B&W)
Frame Rate	1080P@25fps
Lens	2.8mm-12mm(Manual zoom)
Day/Night	IR-CUT
Max.IR Distance	90m
OSD Menu	UTC Control
Wide Dynamic Rang	DWDR
Noise Reduction	2D
Interface	
Audio In	-
Alarm In/Out	-
General	
Ingression Protection	IP66
Working Temperature	-20°~65°
material	ABS plastic +Metal
Power	XPOE Power Supply

# JF-XVI-EDB2322-IR8-VF

2MP Low Illumination Bullet XPOE Camera

## Dimensions



## Accessories (optional)

JF TECH Co.,Ltd.  
Headquarters(Hangzhou):  
Building 9, Yinhu Innovation Center, Hangzhou, China  
Business Center(Shenzhen):  
A 7th Floor, Block Sakata 5 Avenue and Chong Hing Times Tower Shenzhen  
All Rights Reserved • Specifications subject to change without notice.

Website:<http://www.jftech.com>  
Tel:+86-0571-23271188

Tel:+86-0755-32898088