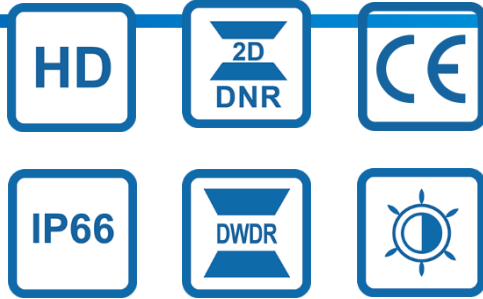


# JF-XVI-EDB2321-IR8-VF

2MP XVI 5 in 1 Bullet Camera



JF TECH



## Features

- ◆ 1/2.7" 2Mp CMOS
- ◆ HD lens: 2.8mm-12mm
- ◆ Support coaxial control
- ◆ Support coaxial upgrade
- ◆ Low Illumination
- ◆ XVI/AHD/TVI/CVI/CVBS Video Output
- ◆ Protection level is IP66

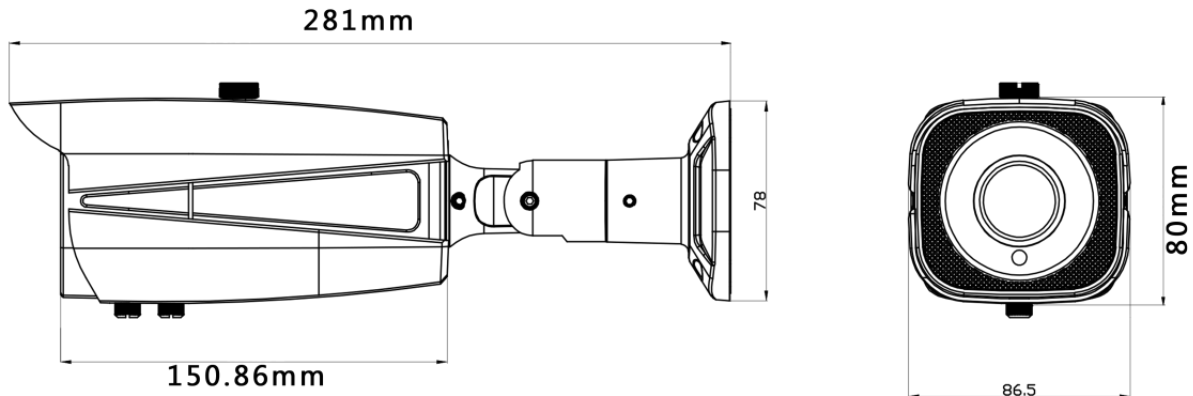
## Specification

| Camera                |                                      |
|-----------------------|--------------------------------------|
| Model                 | JF-XVI-EDB2321-IR8-VF                |
| Image Sensor          | 1/2.7" 2Mp CMOS                      |
| Min.Illumination      | 0.01Lux @F1.2 (Color)                |
|                       | 0.001 Lux @ F1.2 (B&W)               |
| Frame Rate            | 50Hz:1080P@25fps<br>60Hz:1080P@30fps |
| Lens                  | 2.8mm-12mm(Manual zoom)              |
| Day/Night             | IR-CUT                               |
| Max.IR Distance       | 90m                                  |
| OSD Menu              | UTC Control                          |
| Wide Dynamic Rang     | DWDR                                 |
| Noise Reduction       | 2D                                   |
| Interface             |                                      |
| Video Output          | XVI/AHD/TVI/CVI/CVBS Switchable      |
| Audio In              | -                                    |
| Alarm In/Out          | -                                    |
| General               |                                      |
| Ingression Protection | IP66                                 |
| Working Temperature   | -20°~65°                             |
| material              | ABS plastic +Metal                   |
| Power                 | DC12V±10%                            |

# JF-XVI-EDB2321-IR8-VF

2MP XVI 5 in 1 Bullet Camera

## Dimensions



## Accessories (optional)

JF TECH Co.,Ltd.  
Headquarters(Hangzhou):  
Building 9, Yinhu Innovation Center, Hangzhou, China  
Business Center(Shenzhen):  
A 7th Floor, Block Sakata 5 Avenue and Chong Hing Times Tower Shenzhen  
All Rights Reserved • Specifications subject to change without notice.

Website:<http://www.jftech.com>  
Tel:+86-0571-23271188

Tel:+86-0755-32898088