

JF-IPC-ED2351L-IR2

5MP Lite Network Bullet Camera



Features

- ◆ 5MP@15fps/4MP@25fps
- ◆ HD lens: 3.6mm(6mm optional)
- ◆ Support ONVIF(profile S)
- ◆ Support H.265+/H.265/H.264+/H.264 Video compressions, multi-level video quality configuration;
- ◆ Support intelligent video: Tripwire, Intrusion, Scene Change, Abandoned/Missing Object;
- ◆ Protection level is IP67;
- ◆ Supporting WEB, VMS, MYEYE platform;
- ◆ Support mobile phone monitoring (IOS, Android);

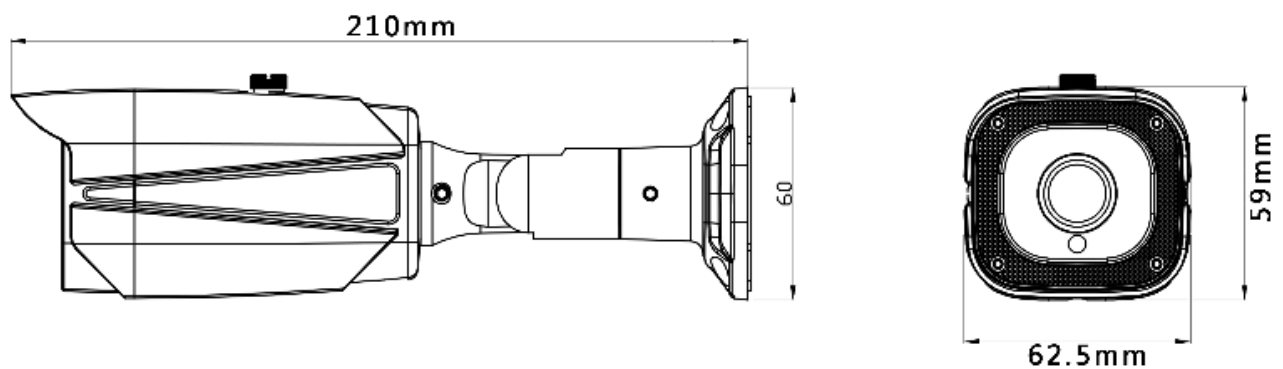
Specification

Camera	
Model	JF-IPC-ED2351L-IR2
Image Sensor	1/2.5" 5MP CMOS
Min.illumination	0.01Lux@F1.2(Color)/0.001Lux@F1.2(B/W)
Lens	3.6mm(6mm optional)
Day/Night	IR CUT
Wide Dynamic Range	DWDR
Max.IR Distance	30m
Video Compression	H.265+/H.265/H.264+/H.264
Multi-streaming	Dual-stream
Frame Rate	5MP@15fps/4MP@25fps
Intelligent Video	Tripwire, Intrusion, Scene Change, Abandoned/MissingObject
Compatibility	ONVIF
Interface	
Audio In/Out	1/0
Memory Slot	--
Alarm In/Out	--
General	
Ingress Protection	IP67
Working Temperature	-20℃~+65℃
Material	ABS plastic+Metal
Power	DC12V±10%,PoE

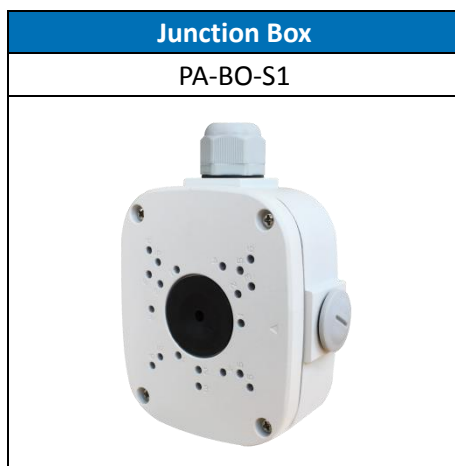
JF-IPC-ED2351L-IR2

5MP Lite Network Bullet Camera

Dimensions



Accessories (optional)



JF TECH Co.,Ltd.
Headquarters(Hangzhou):
Building 9, Yinhu Innovation Center, Hangzhou, China
Business Center(Shenzhen):
A 7th Floor, Block Sakata 5 Avenue and Chong Hing Times Tower Shenzhen
All Rights Reserved • Specifications subject to change without notice.

Website:<http://www.jftech.com>
Tel:+86-0571-23271188

Tel:+86-0755-32898088