

# JF-SD-MN3313M-X3R

## 1.3MP Network IR PTZ Camera



### Features

- ◆ 1.3MP@25fps
- ◆ HD lens:2.8~8mm (3x optical zoom)
- ◆ Support ONVIF(profile S)
- ◆ Support H.264 video compressions, multi-level video quality configuration
- ◆ Protection level is IP66
- ◆ Supporting WEB, VMS, MYEYE platform;
- ◆ Support mobile phone monitoring (IOS, Android);
- ◆ 360° endless pan range and -10°~90°tilt range
- ◆ PTZ functions: Up to 50 presets, up to 1 auto scan, up to 3 tour, up to 1 pattern

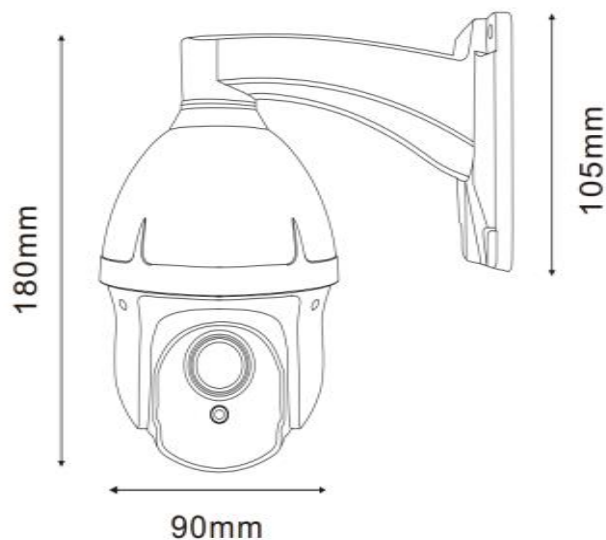
### Specification

Camera	
Model	JF-SD-MN3313M-X3R
Image Sensor	1/3" 1.3MP CMOS
Min.illumination	0.01Lux@F1.2(Color)/0.001Lux@F1.2(B/W)
Lens	2.8~8mm(3x Optical zoom)
Day/Night	IR CUT
Wide Dynamic Range	DWDR
Max.IR Distance	30m
Video Compression	H.264
Multi-streaming	Dual-stream
Frame Rate	1.3MP@25fps
Pan/Tilt	Pan:0°~360°endless;Tilt:-10°~90°
Intelligent Video	--
Compatibility	ONVIF
Interface	
Audio In/Out	--
Memory Slot	--
Alarm In/Out	--
General	
Ingress Protection	IP66
Working Temperature	-20°C~+65°C
Power	DC12V±10%,PoE

# JF-SD-MN3313M-X3R

## 1.3MP Network IR PTZ Camera

### Dimensions



### Accessories (optional)

JF TECH Co.,Ltd.

Headquarters(Hangzhou):

Building 9, Yinhu Innovation Center, Hangzhou, China

Business Center(Shenzhen):

A 7th Floor, Block Sakata 5 Avenue and Chong Hing Times Tower Shenzhen

All Rights Reserved • Specifications subject to change without notice.

Website:<http://www.jftech.com>

Tel:+86-0571-23271188

Tel:+86-0755-32898088